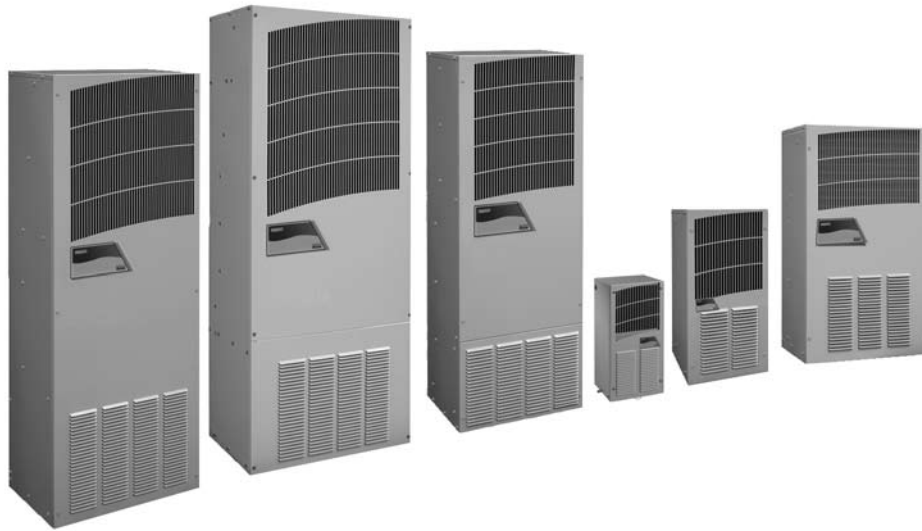


T4 Line Indoor/Outdoor Air Conditioners



Application

T4 Air Conditioners provide high-efficiency positive cooling for wall-mount and stand-alone enclosures. Designed for indoor and outdoor applications requiring up to UL Type 4 rating.

Features

- Equipped with head pressure control for low ambient operation, compressor heater, coated condenser coil, and thermostat
- Surface and internal recess mounting capabilities
- Models are equipped with a screwdriver adjustable thermostat
- EMI/RFI noise suppressor is standard
- Reusable and washable air filter is easily accessible without removing front cover
- Broad operating range of -40°F (-40°C) to 131°F (55°C)
- 800-13,100 units use a CFC-free refrigerant (R134A); 20,000 BTU units use R22
- Compact footprints minimize mounting surface requirements

Construction

- Includes power cord with plug for standard grounded outlet
- Built-in hanging brackets facilitate installation on door, side, or rear of the enclosure
- High performance, industrial grade, and efficiency fans provide maximum heat transfer
- Hardware, gasket, and instruction manual furnished

Finish

RAL 7035 smooth light gray polyester powder coating over galvanized steel.

Industry Standards

Maintains UL/cUL Type 12, 3R, or 4 rating when properly installed on UL/cUL Type 12 or 4 rated enclosure.

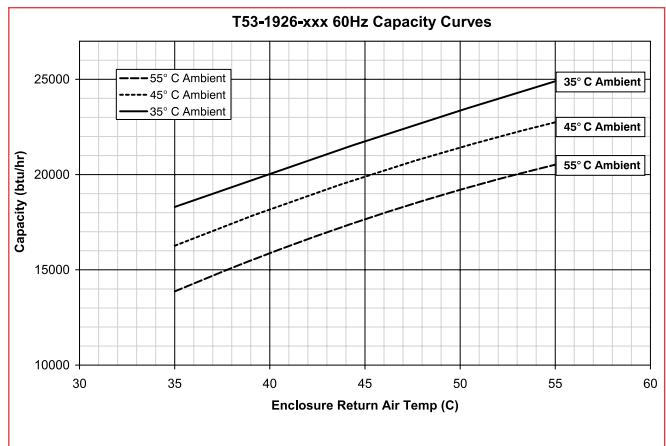
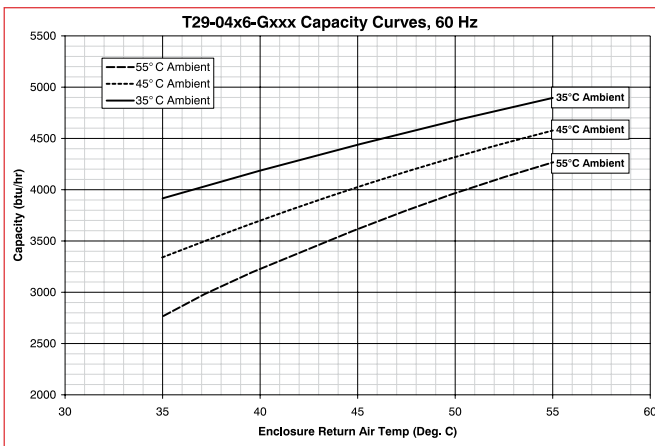
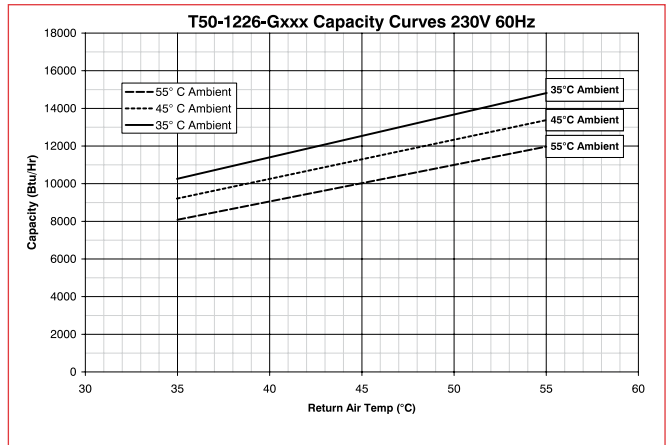
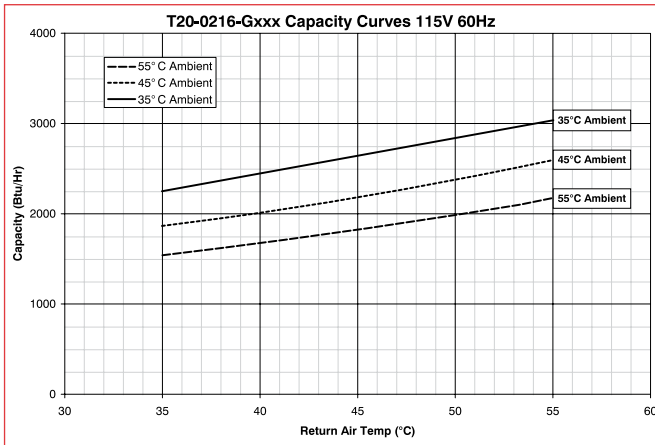
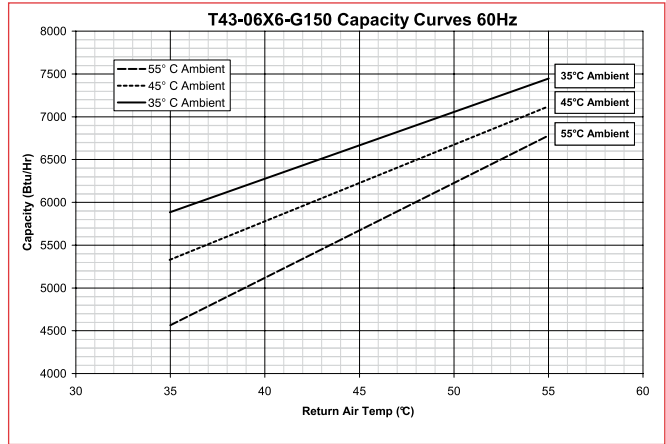
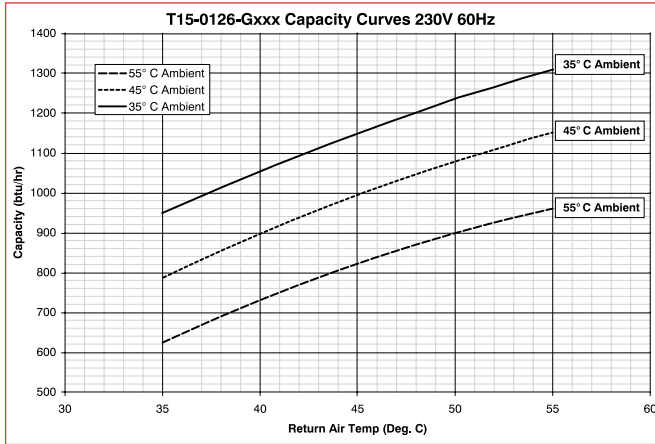
UL/cUL Listed, UL File Number SA6453
CE

Accessories

Replacement Filter

Closed Loop Cooling

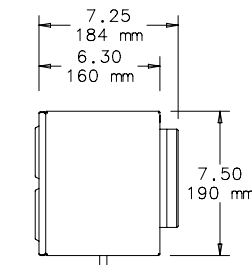
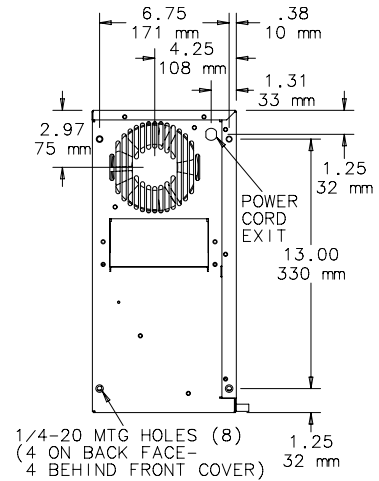
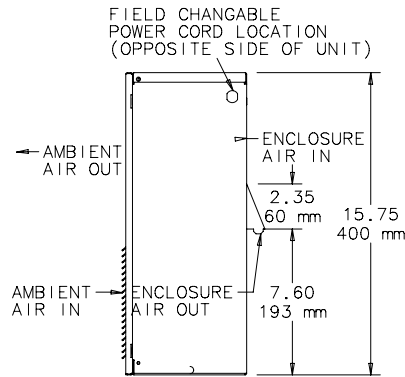
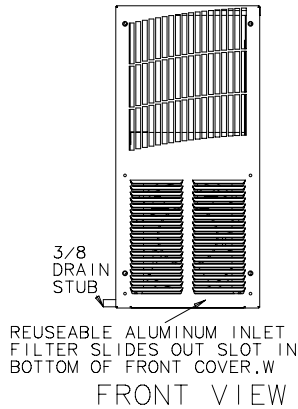
These air conditioners are designed and tested to maintain a UL50-rated separation of the external ambient airflow from the sealed cabinet interior. This protects the electronic controls and equipment from shutdowns caused by heat, humidity, dust, and other contaminants.



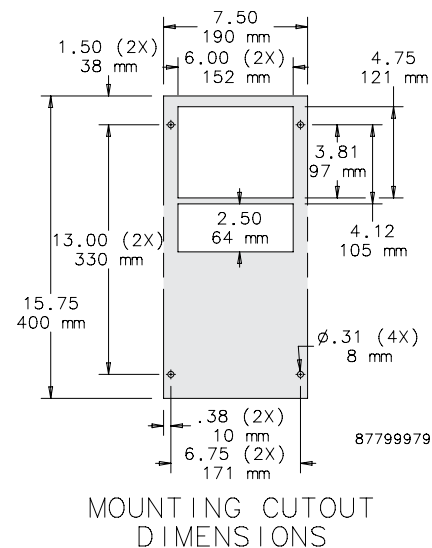
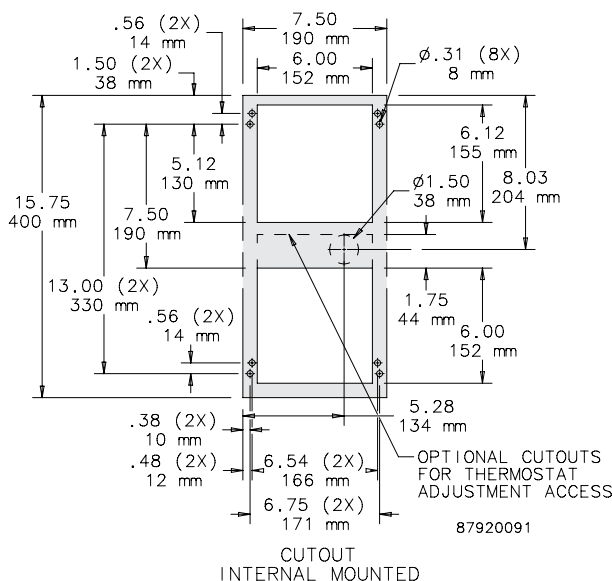
T4 Line Indoor/Outdoor Air Conditioners

800 BTU 15.75 x 7.50 x 6.30 (400 x 191 x 160)—Replacement Filter Catalog Number 10100091

Catalog Number	Voltage	Hz	Phase	BTU/Hr. @ Max. Ambient Temp.	Full Load Amps	50 Hz Max. Amb. Temp		60 Hz Max. Amb. Temp		Shipping Weight Lbs./Kgs
						°F	°C	°F	°C	
T150116G100	110/115	50/60	1	800/800	3.8/3.6	125	52	131	55	27/12
T150126G100	220/230	50/60	1	800/900	1.4/1.5	125	52	131	55	27/12



87799978

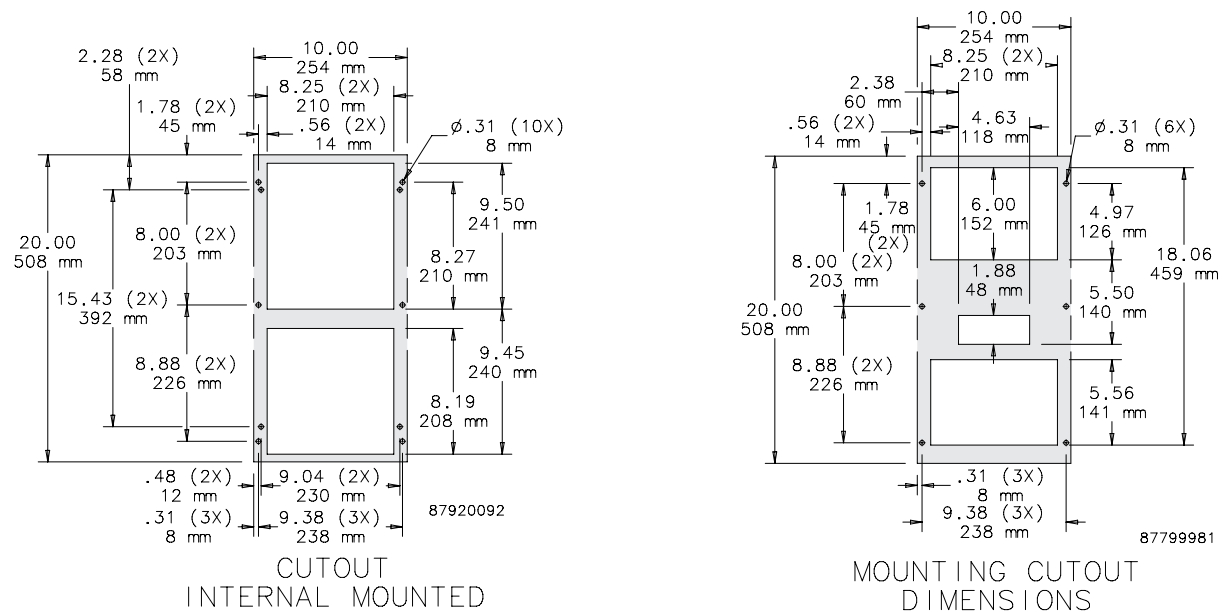
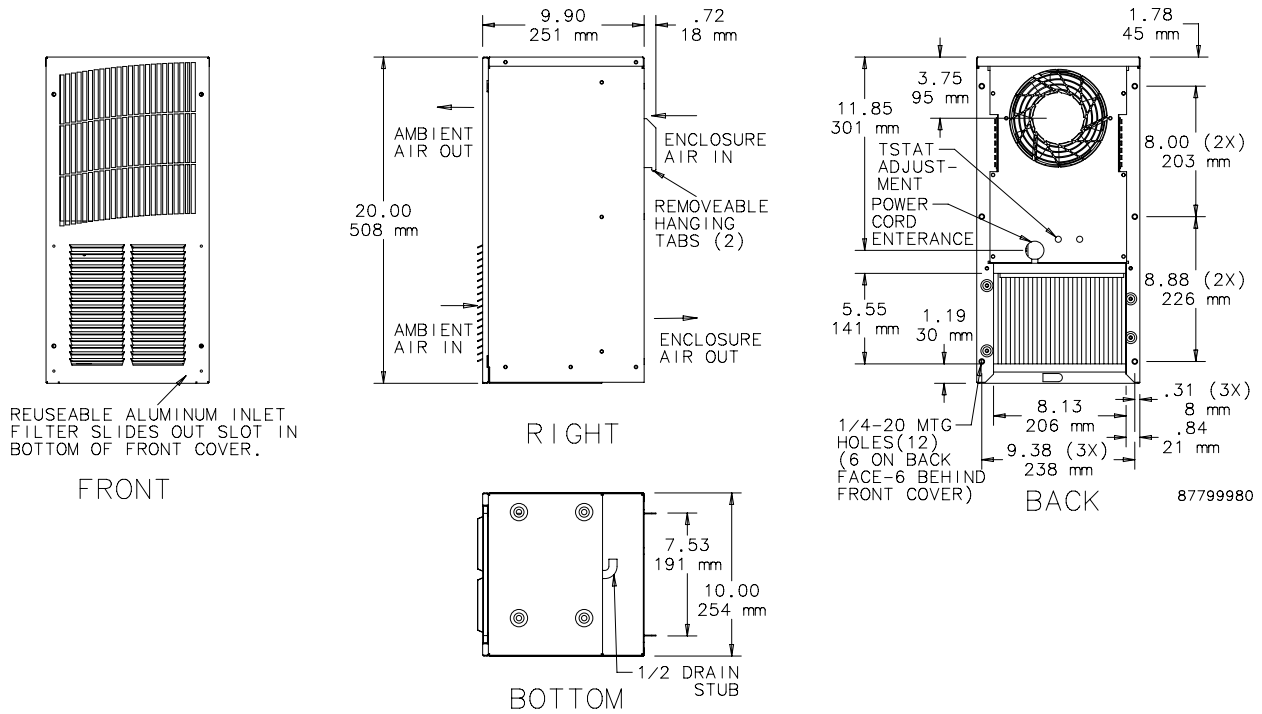


Thermal Management

T4 Line Indoor/Outdoor Air Conditioners

2000 BTU 20.00 x 10.00 x 9.90 (508 x 254 x 251)—Replacement Filter Catalog Number 10100090

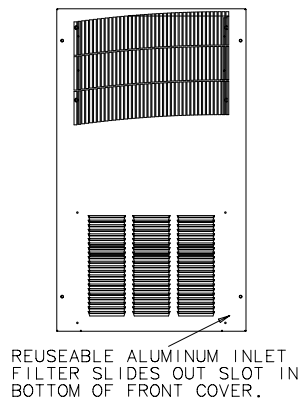
Catalog Number	Voltage	Hz	Phase	BTU/Hr. @ Max. Ambient Temp.	Full Load Amps	60 Hz Max. Amb. Temp		Shipping Weight Lbs./Kgs
						°F	°C	
T200216G100	115	50/60	1	1800/2000	7	131	55	56/25
T200226G100	230	50/60	1	1800/2000	3.5	131	55	56/25



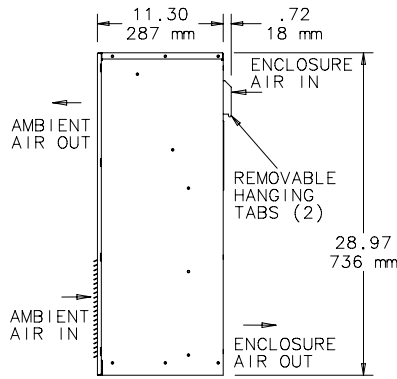
T4 Line Indoor/Outdoor Air Conditioners

4000 BTU 29.00 x 17.00 x 11.30 (737 x 432 x 287)—Replacement Filter Catalog Number I0100093

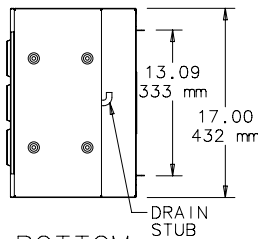
Catalog Number	Voltage	Hz	Phase	BTU/Hr. @ Max. Ambient Temp.	Full Load Amps	60 Hz Max. Amb. Temp		Shipping Weight Lbs./Kgs
						°F	°C	
T290416G100	115	50/60	1	3600/4000	13.8/13.6	131	55	107/49
T290426G100	230	50/60	1	3600/4000	6.9/6.8	131	55	107/49



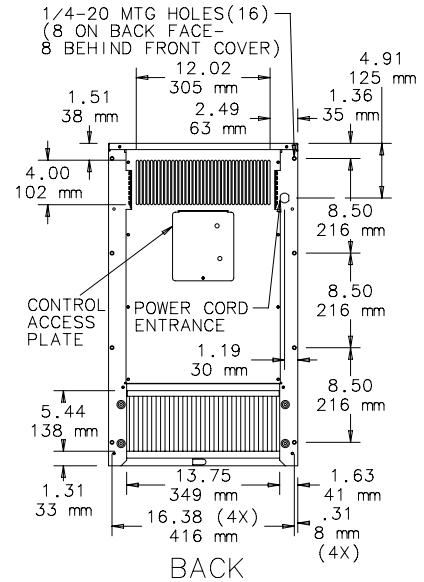
FRONT



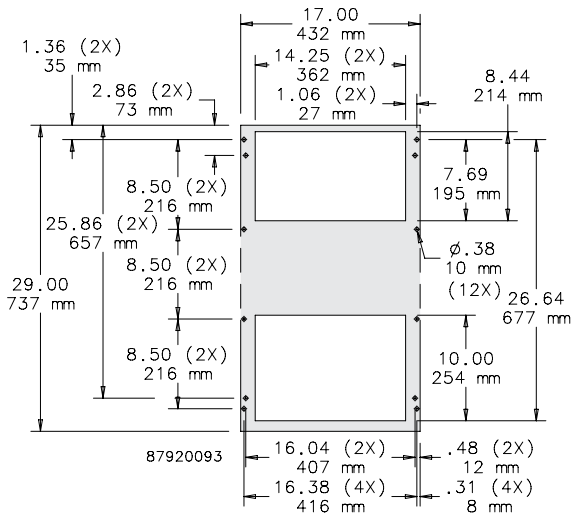
RIGHT



BOTTOM

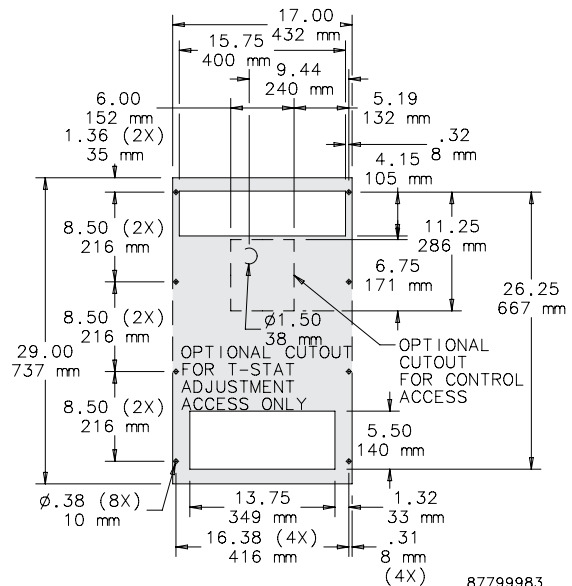


87799982



87920093

CUTOUT
INTERNAL MOUNTED



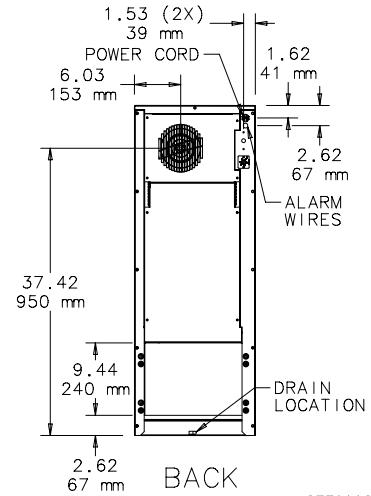
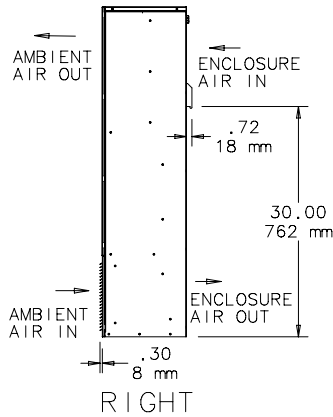
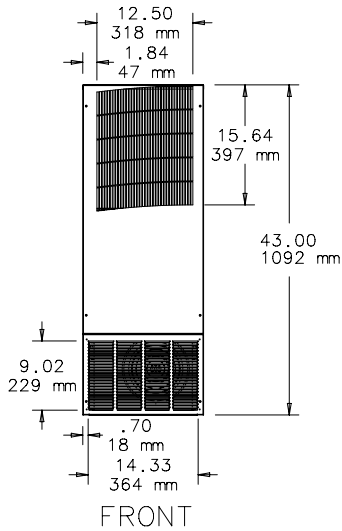
87799983

**Thermal
Management**

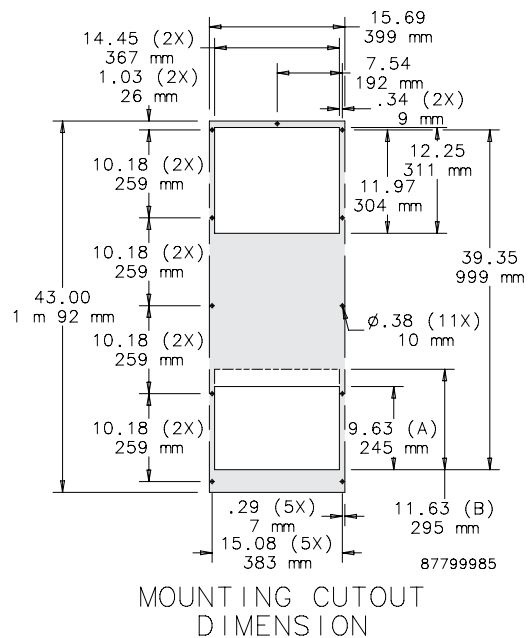
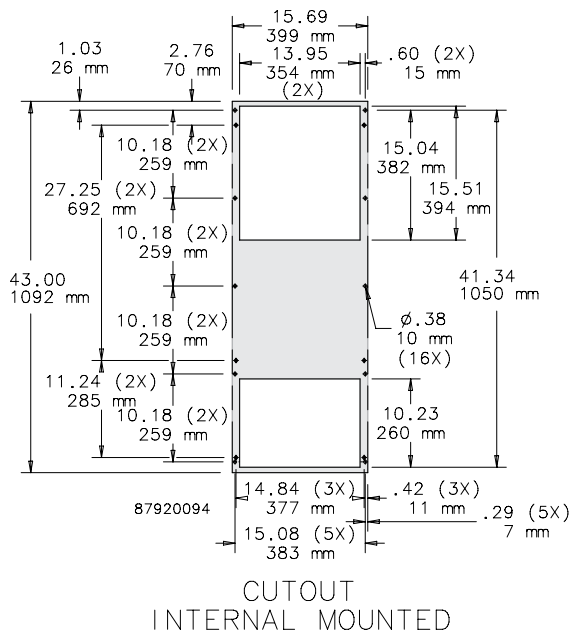
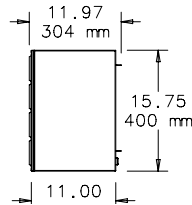
T4 Line Indoor/Outdoor Air Conditioners

6680-8600 BTU 43.00 x 15.75 x 10.99 (1092 x 400 x 279)—Replacement Filter Catalog Number I0100096

Catalog Number	Voltage	Hz	Phase	BTU/Hr. @ Max. Ambient Temp.	Full Load Amps	60 Hz Max. Amb. Temp		Shipping Weight Lbs./Kgs
						°F	°C	
T430616G100	115	50/60	1	6310/6680	9.2/8.6	131	55	125/57
T430626G100	230	50/60	1	6520/6770	4.4/3.8	131	55	125/57
T430816G100	115	50/60	1	7900/8600	10.4/11.2	131	55	125/57
T430826G100	230	50/60	1	7400/8200	5.2/5.4	131	55	125/57



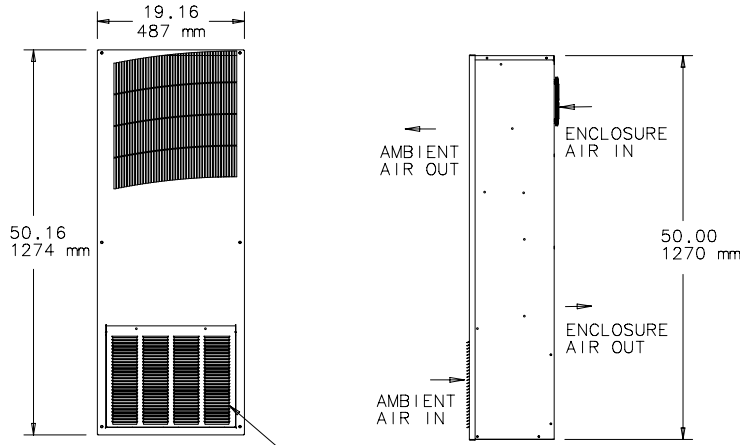
87799984



T4 Line Indoor/Outdoor Air Conditioners

13,100 BTU 50.00 x 19.00 x 11.05 (1270 x 483 x 281)—Replacement Filter Catalog Number 10100083

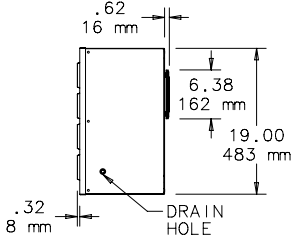
Catalog Number	Voltage	Hz	Phase	BTU/Hr. @ Max. Ambient Temp.	Full Load Amps	60 Hz Max. Amb. Temp		Shipping Weight Lbs./Kgs
						°F	°C	
T501226G100	230	50/60	1	11,600/13,100	9.0/9.5	131	55	164/75



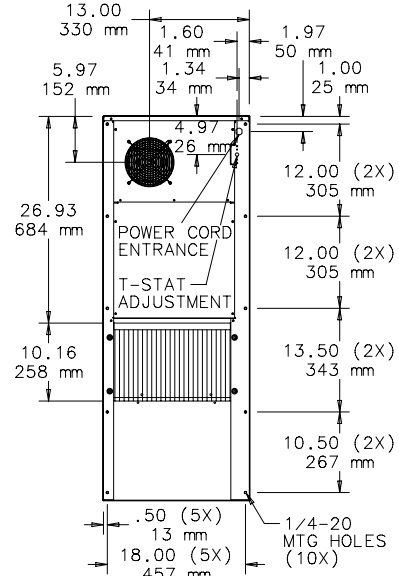
CLEANABLE, REUSABLE, ALUMINUM INLET FILTER BEHIND REMOVABLE LOUVRES

FRONT

RIGHT

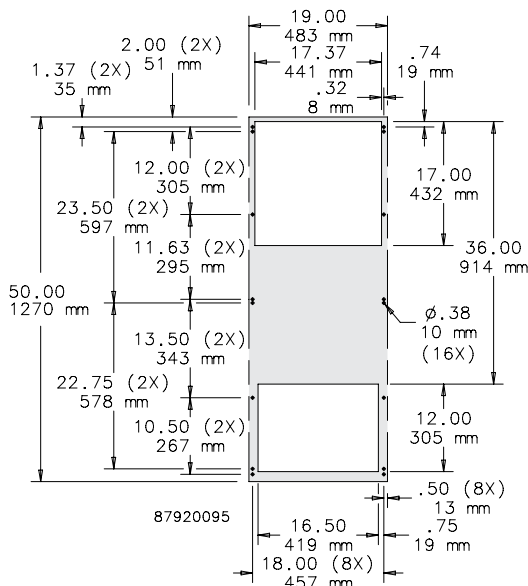


BOTTOM



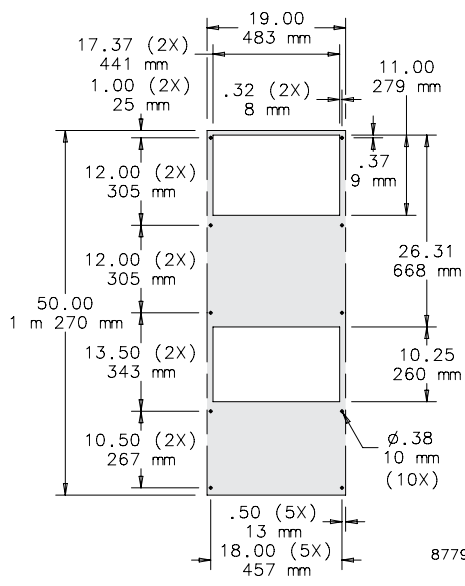
BACK

87799986



CUTOUT
INTERNAL MOUNTED

87920095



MOUNTING CUTOUT
DIMENSIONS

87799987

**Thermal
Management**

